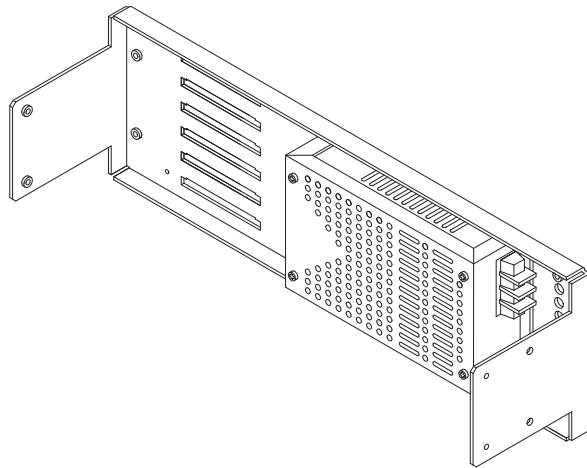


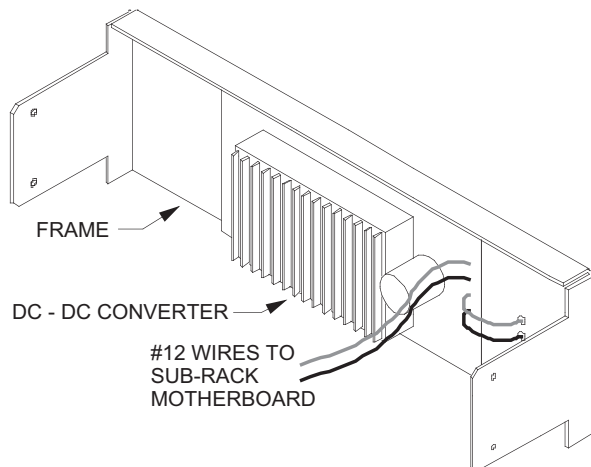
TN830 AC to DC and DC to DC Power Supplies



The PSA-12A09-PB-00 and PSA-12A09-UB-00 AC switching power supplies provide a regulated +13.8 Vdc to the output terminals. Valuable rack space has been saved by mounting the "PB" version AC power supply inside the rear panel frame that attaches to the rear of the subrack. The "UB" version is sold unmounted. An AC power socket is located on the outside of the subrack rear panel and accepts standard IEC320 type cordsets.

A +12 Vdc battery terminal connector allows connection of a Lead Acid battery for float charging. During a power failure the Lead-Acid battery provides backup power to the primary output.

Input Voltage Range	105 to 130 Vac or 180 to 265 Vac (Jumper Selectable)
Input Frequency Range	50 / 60 Hz
Output Voltage	+13.8 Vdc \pm 150 mV
Output Current	10 Amps continuous
Operating Temperature	-40°C to +50°C continuous duty



The DC to DC converters provide a regulated +13.8 Vdc to the output terminals over a wide range of DC input voltages. Valuable rack space has been saved by mounting the DC to DC converter inside the rear panel frame that attaches to the rear of the subrack. A terminal block is located on the outside of the subrack rear panel for the DC input voltage. The DC to DC converters comes in two different models.

Input Voltage Range	+18 - +36 Vdc floating input PSD-15-08-P0-80 +36 - +72 Vdc floating input PSD-15-08-P0-90
Output Voltage	Factory set at +15 Vdc. Adjustable from +13.5 Vdc to +16.5 Vdc
Output Current	8 Amps continuous @ +15 Vdc
Operating Temperature	-25°C to +60°C continuous duty

43 Erie Street
Victoria, B.C.
Canada V8V 1P8

Toll Free Canada & U.S.A.
Phone: 1-800-664-4066
Fax: 1-877-750-0004

International
Phone: 250-382-8268
Fax: 250-382-6139

Internet
Email: LMRsales@codanradio.com
Web: www.codanradio.com

TN830 AC to DC and DC to DC Power Supplies

This Page Intentionally Left Blank